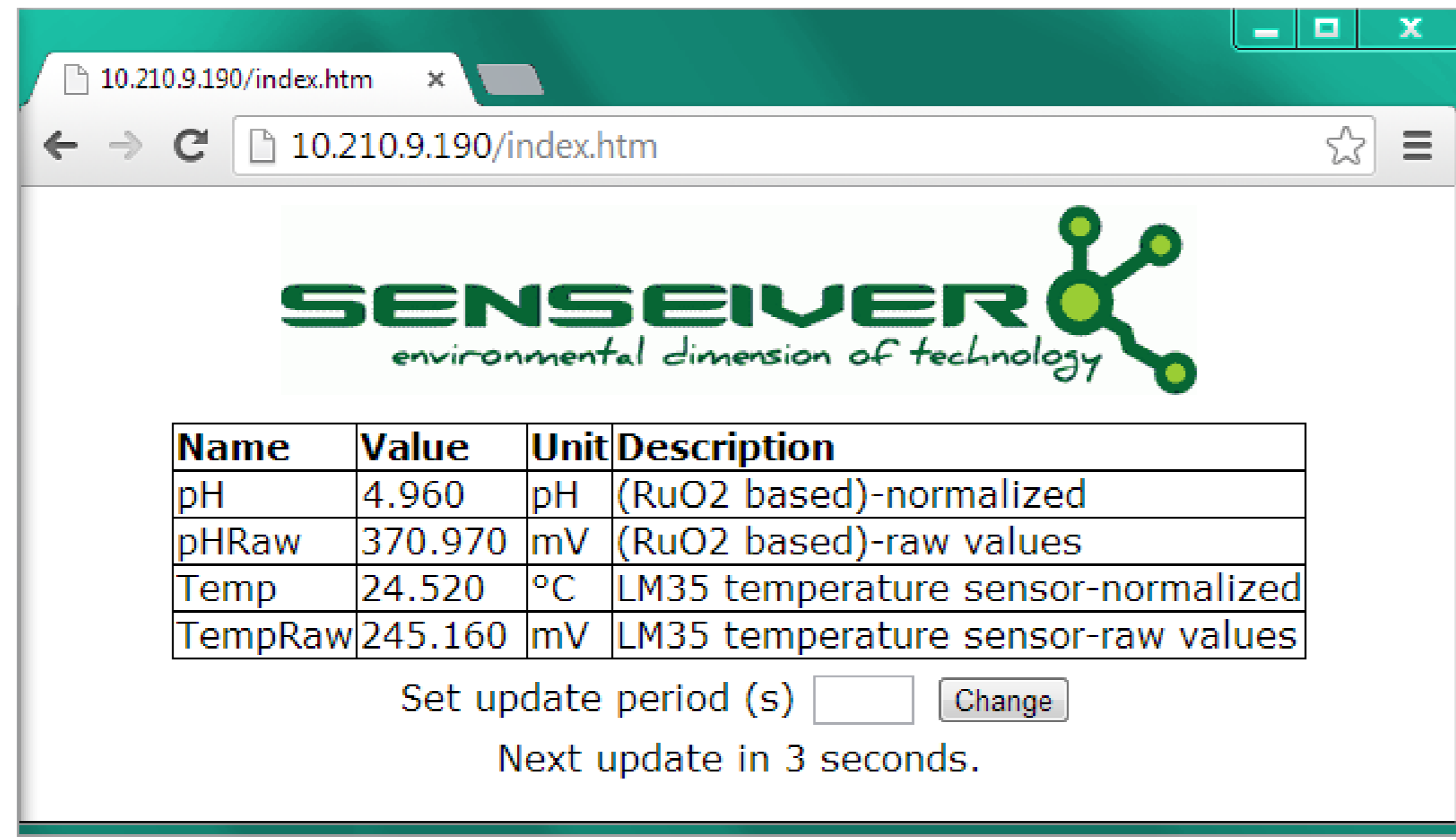


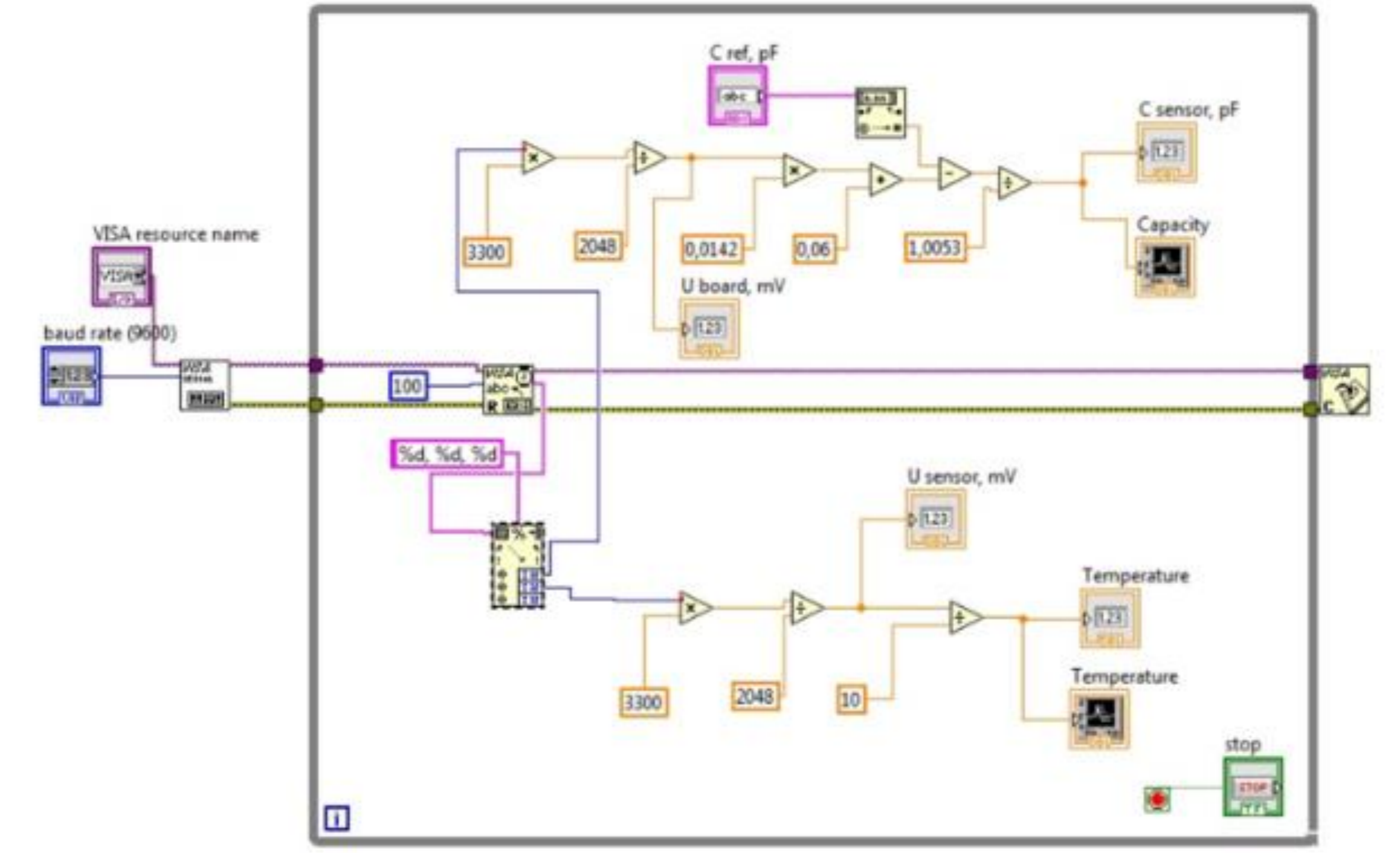
# Your environment. Our sensor network.



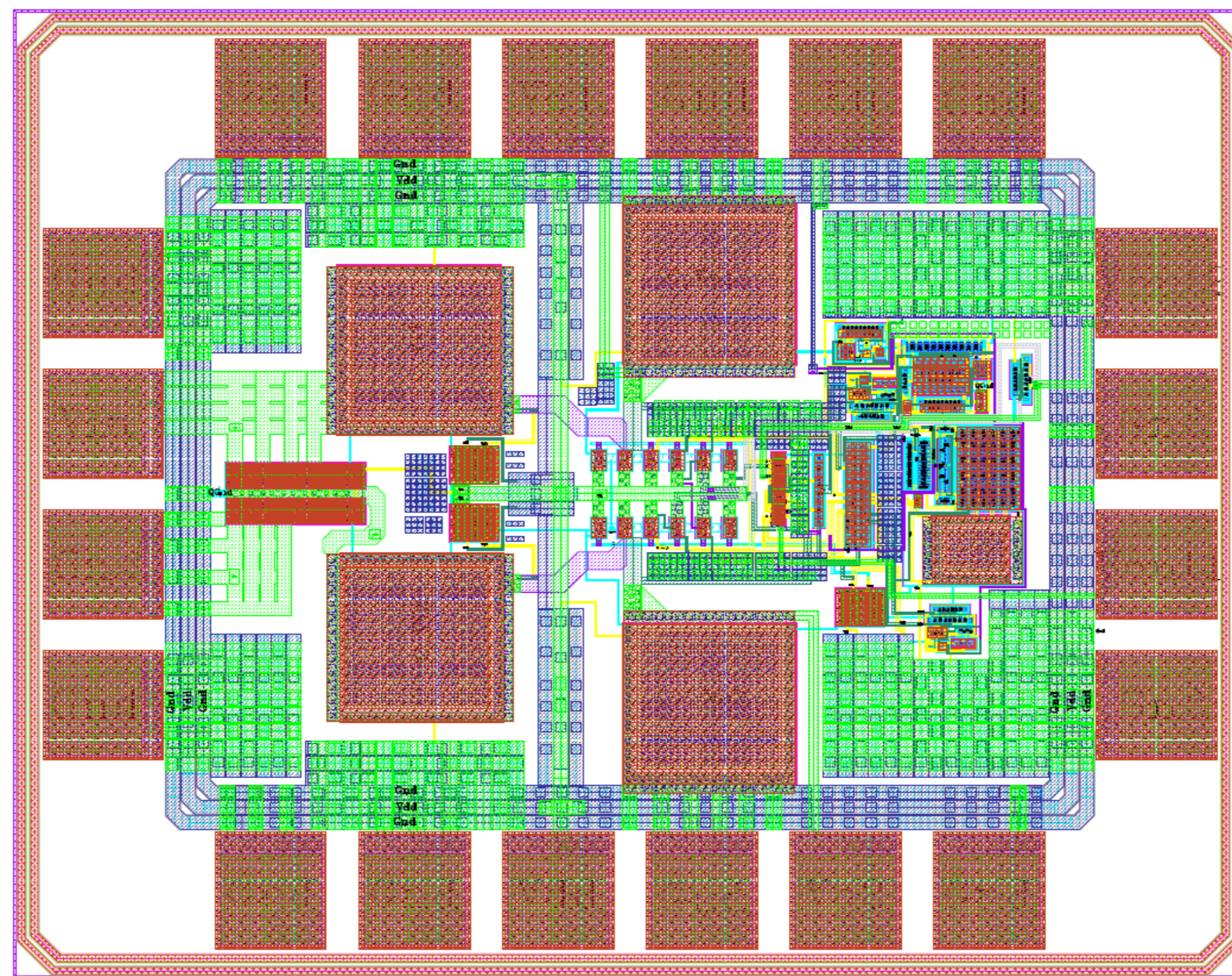
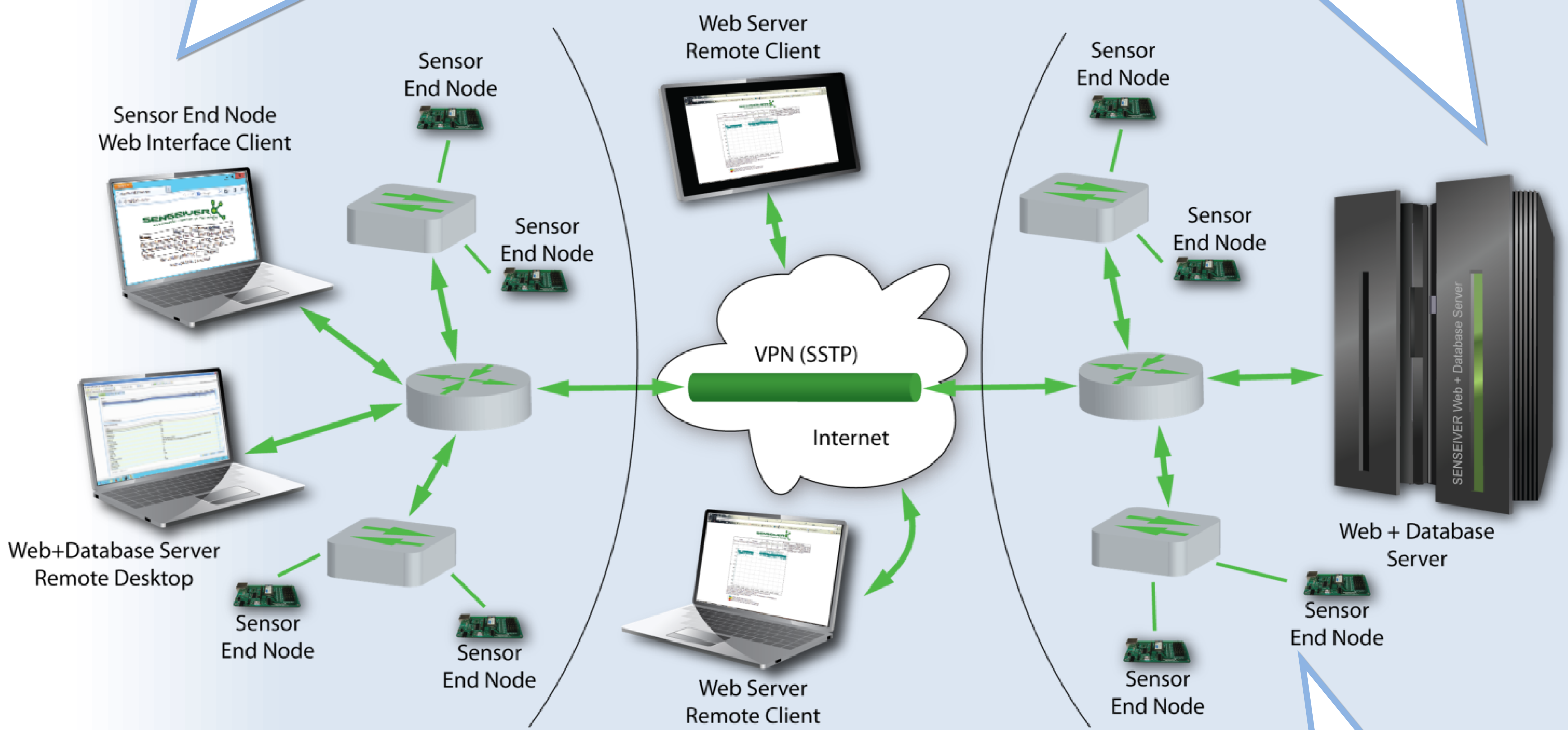
Name	Value	Unit	Description
pH	4.960	pH	(RuO2 based)-normalized
pHRaw	370.970	mV	(RuO2 based)-raw values
Temp	24.520	°C	LM35 temperature sensor-normalized
TempRaw	245.160	mV	LM35 temperature sensor-raw values

Set update period (s)    
Next update in 3 seconds.

## Visualization



## Software



## Communication



## Hardware

### Contact:

Krzysztof Zaraska

Instytut Technologii  
Elektronowej  
Oddział w Krakowie

ul. Zabłocie 39  
30-701 Kraków

tel: +48 12 6565183

e-mail: [kzaraska@ite.waw.pl](mailto:kzaraska@ite.waw.pl)

### Project coordinator:

Prof. Goran Stojanović

University of Novi Sad,  
Faculty of Technical Sciences

Trg Dositeja Obradovića 6,  
21000 Novi Sad, Serbia

tel: +381 21 4852552

e-mail: [sgoran@uns.ac.rs](mailto:sgoran@uns.ac.rs)



## Sensors

This multi-site network has been formed in order to provide solutions in the field of wireless sensors and transceivers for application in environmental parameters monitoring.

[www.senseiver.com](http://www.senseiver.com)